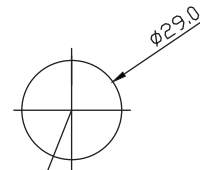


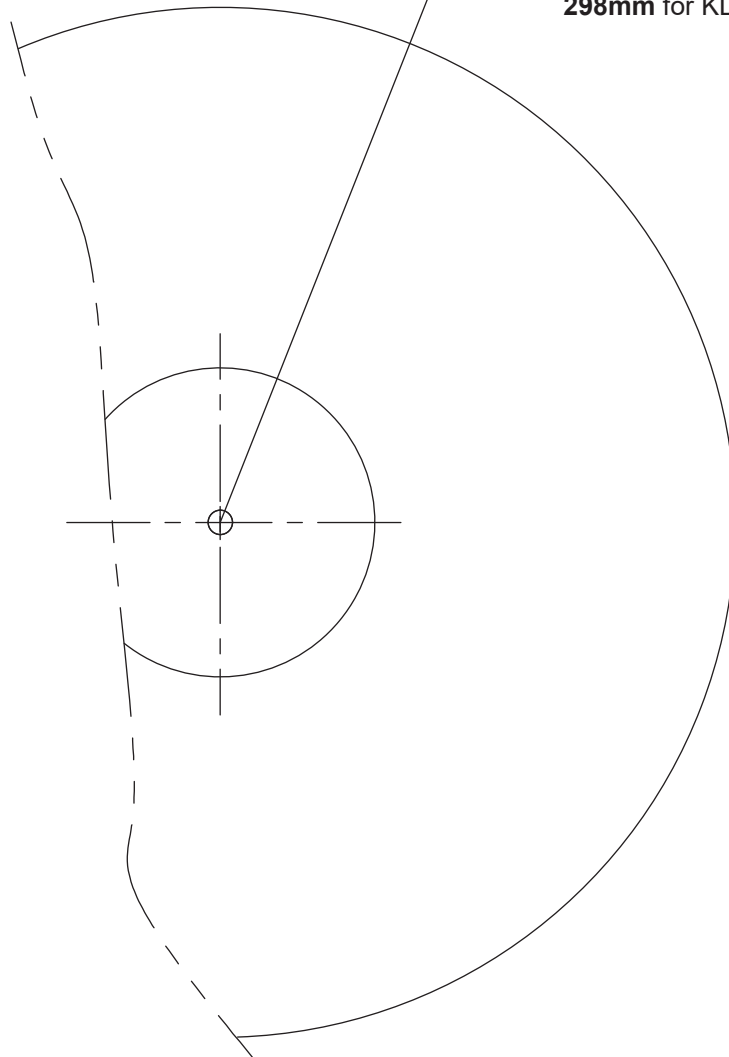
Dimensions are in millimeters. The four 5mm flange screw holes are not required if mounting via stem nut. See User manual for details.



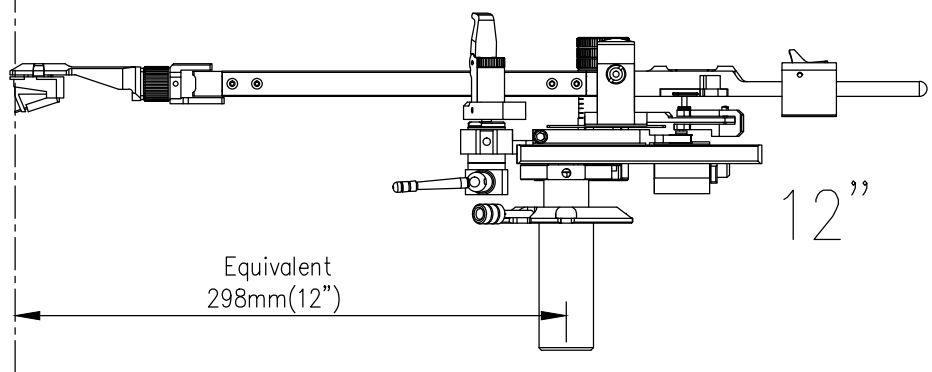
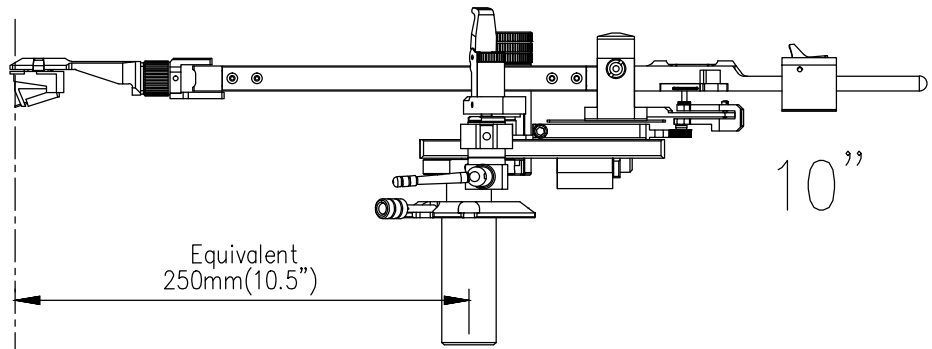
Spindle-to-Pivot Distance:

250mm for KD-ARM-MP10

298mm for KD-ARM-MP12



Spindle to hole
Equivalent Cartridge shell
Adjustable



Short type headshell
SPU A type

24mm ADJUSTABLE

