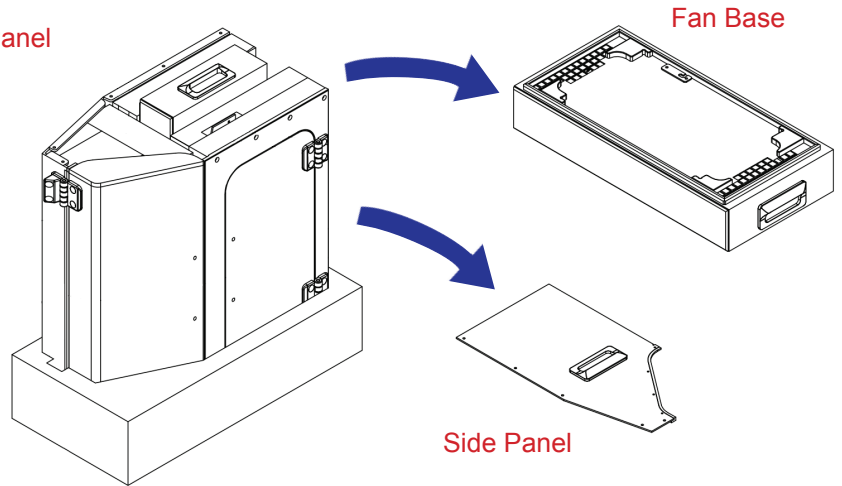
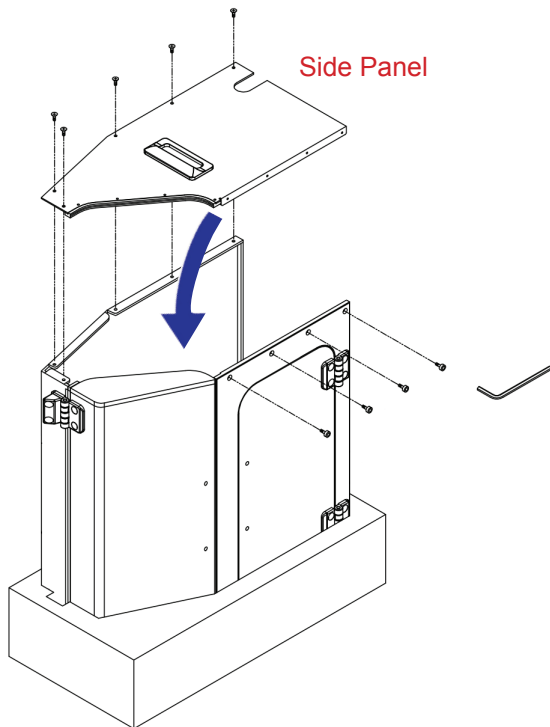


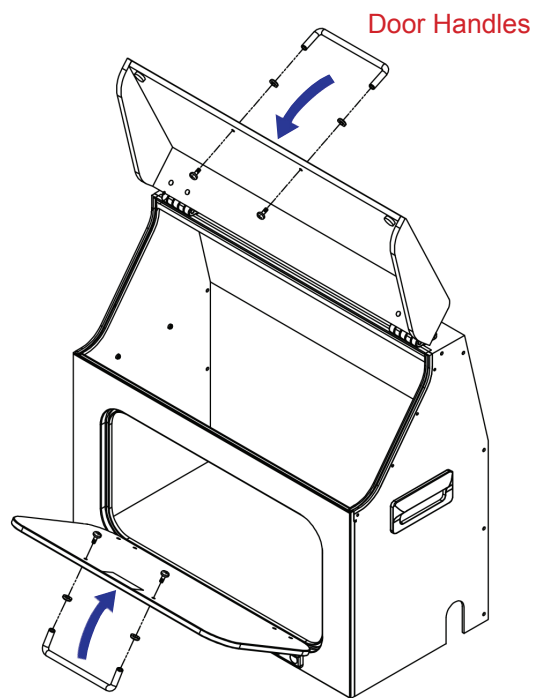
Step 1: Remove right half of foam packaging and peel back the vinyl bag to expose temporary shipping panel. Unscrew panel with the provided hex wrench.



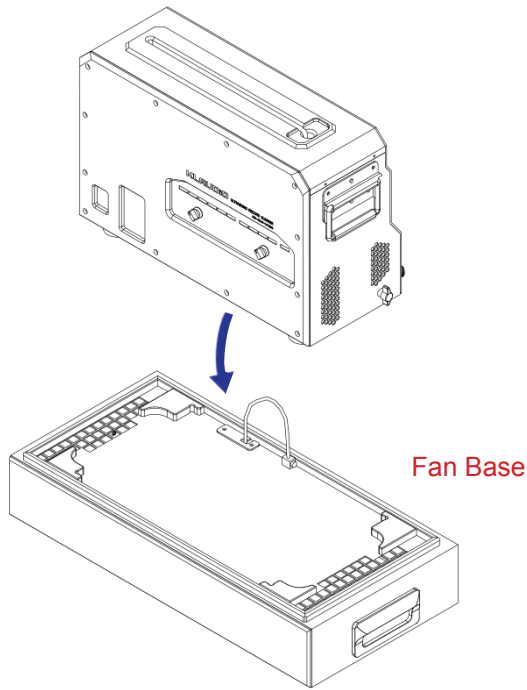
Step 2: Remove fan base and side panel from within the silencing box.



Step 3: Attach side panel to the silencing box with the original hex screws and wrench.

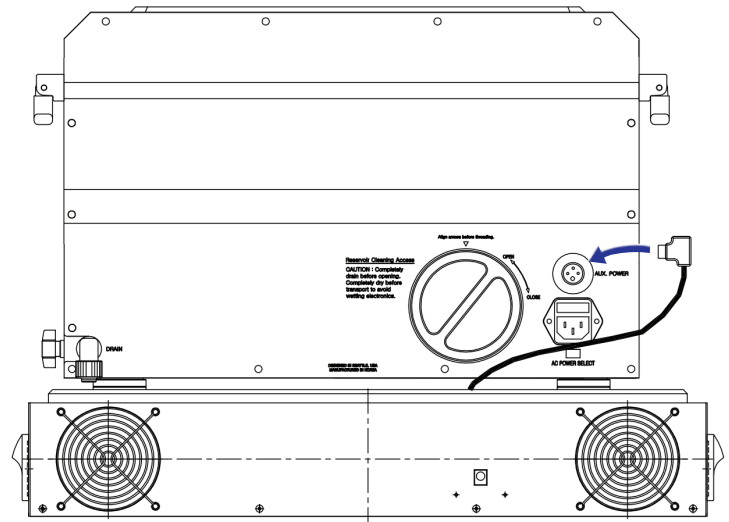


Step 4: Attach handles to top and front doors with the provided hardware and phillips screws.

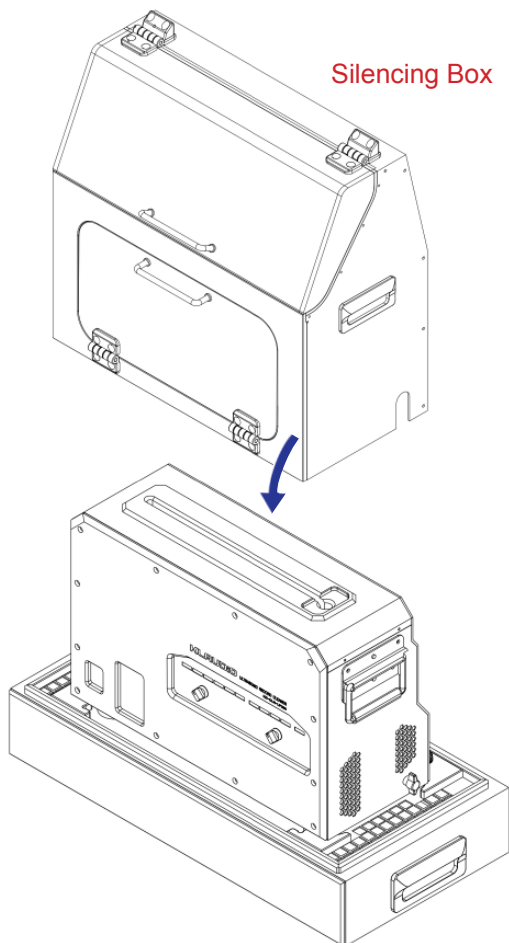


Fan Base

Step 5: Place the record cleaner onto the fan base. When properly aligned, it should fit firmly and level.



Step 6: Connect the fan power plug from the base to the record cleaner's "Aux Power" port. Optionally, the fans can be powered with a separate supply via the barrel plug near the fan grills (12VDC, 0.5A).



Silencing Box

Step 7: Carefully lower the silencing box onto the fan base to enclose the record cleaner.

The record cleaner's AC power cord and drain tubing (if connected) should exit through the provided side notch of the silencing box.