

LP Vinyl Record Ultrasonic Cleaner with Dryer (Internal Reservoir)



([Reviewed](#) by The Absolute Sound, Positive-Feedback, and Stereo Sound!)

Enjoy your vinyl records as if they were new again! Klaudio's KD-CLN-LP200 brings an unrivaled **200 Watts** of ultrasonic cleaning power to your LP collection. Using patent-pending technology, the toughest grime and dust is easily removed without the risk of physical scrubbers or need for detergent. Drying is also handled safely with blowers. Simply fill with distilled water and insert your phonograph record-- the rest is automated.

Ultrasonic transducers are placed perpendicular to both sides of the disc for maximum cleaning effect. Klaudio's technology allows powerful waves to remove debris [without damaging the disc](#), and special dampening minimizes vibration and noise. The entire washing and drying process can be adjusted from 3 to 9 minutes. Cleaning status is conveniently displayed through an LED progress bar.

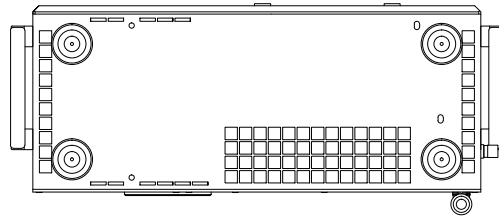
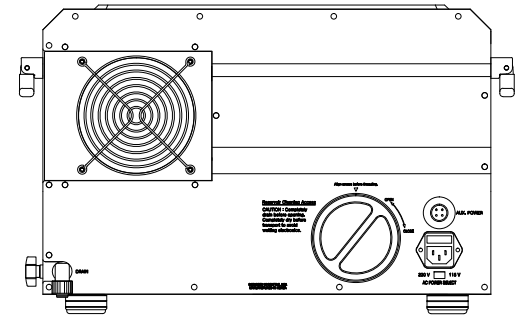
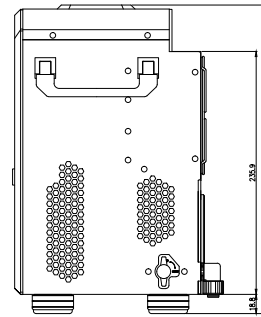
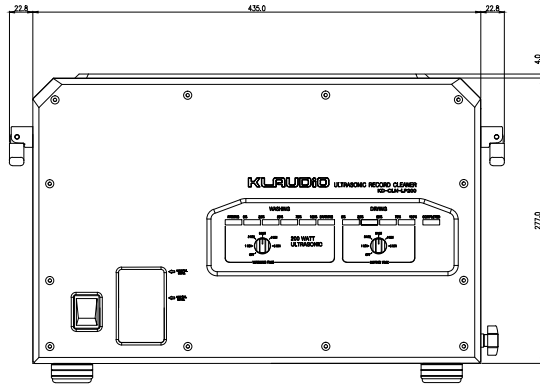
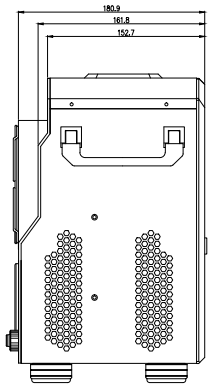
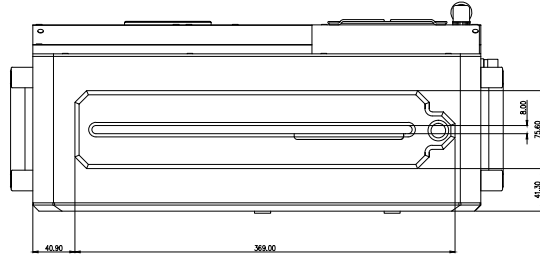
(See [this page](#) for before and after microscope images of an LP record disc!)

Features:

- 200W total ultrasonic cleaning power
- Compatible with 296-304mm (11.65-12in) diameter LP vinyl phonograph records; 7in and 10in with separate adapters
- 115V (60Hz) and 230V (50Hz) AC compatible
- Premium welded stainless steel reservoir for high reliability
- Integrated drain valve and reservoir access for easy maintenance
- Auxiliary power output for future accessories
- Hands-free automated process which starts as soon as the record is inserted
- Risk-free cleaning and drying without physical surface contact
- No scrubbing or drying rollers to replace
- Designed for use without detergent, fill with distilled water
- Adjustable washing time: 0-5 minutes
- Adjustable drying time: 0-5 minutes
- Wash+dry, wash-only, and dry-only modes
- Noise: 65dBA (washing), 70dBA (drying)
- 2-year warranty

NOTE: For vinyl discs only. Not recommended for cleaning shellac.

General	
Weight	48.00 lb (21.77 kg)
LP Cleaners	
Water Source	Internal water reservoir



REV	DATE	CONTENTS	REVD BY	CHKD BY	APPD BY
REVISION					

NO.	DESCRIPTION	MATER'L		QUANTITY	REMARKS		
		UNIT	MM				
KLAUDIO™		SCALE	N/S	Dimension			
DATE	BY	BY	BY			APPRD BY	
		DECIMAL PLACES				DWG. NO.	PAGE
		CODE NO.					